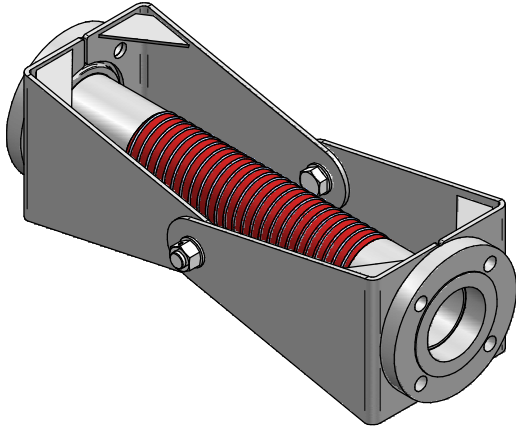
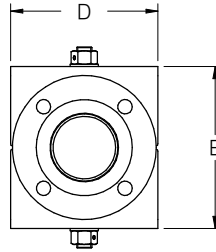
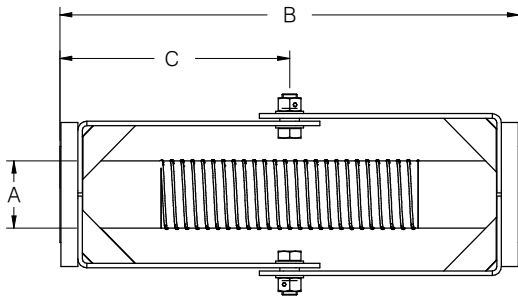


pipe hinge

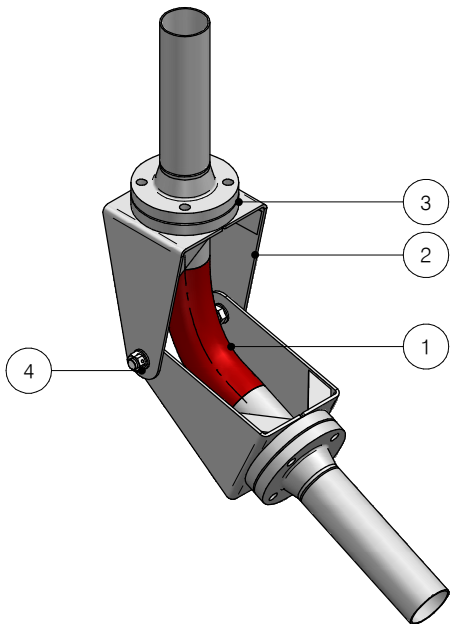


ITEM	SPECIFICATION
dimensions	DN80 (3") up to DN150 (6")
material	stainless steel, steel (galvanised)
hose	composite hose with stainless steel wires
end connection	flanged ANSI/DIN

PROCESS DATA	VALUES
pressure	up to 10 bar
temperature	-40°C / +100°C



SIZE		DIMENSIONS				WEIGHT
A		B	C	D	E	kg
inch	mm	mm	mm	mm	mm	
3"	88,9	616	308	195	214	34,0
4"	114,3	756	378	235	254	45,4
6"	168,3	940	470	285	304	83,9



No.	NAME
1	hose
2	side plates
3	flanged ANSI/DIN
4	stainless steel hinge

subject to technical modifications