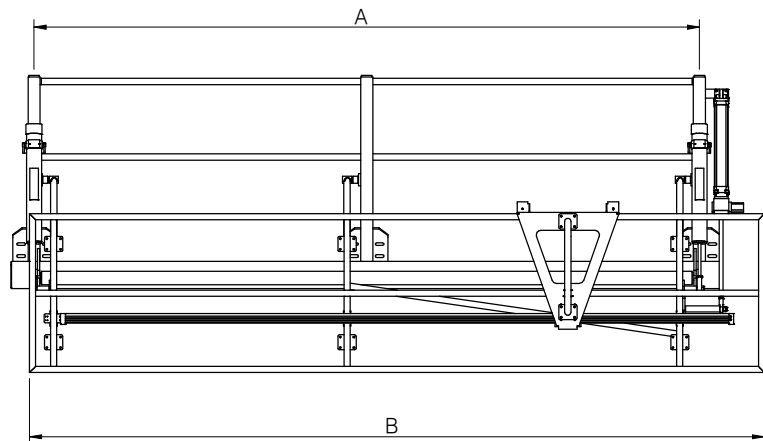
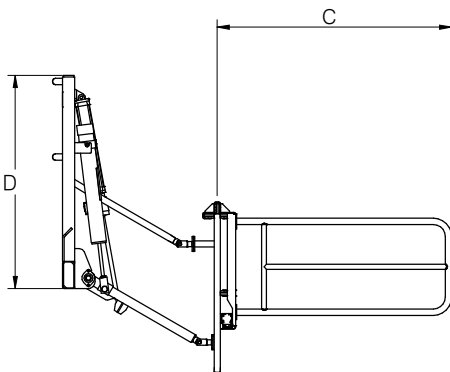


STANDARD RANGE	OPTIONS
pneumatic operation	park position detection
spring cilinder balanced	movable length barrier
construction coated/galvanised	operation b.m.o. joystick
safety frame stainless steel	kick rim

No.	NAME
1	construction frame
2	pneumatic cilinder
3	movable length barrier
4	pneumatic rodless cilinder
5	safety frame
6	spring cilinder



MODEL	DIMENSIONS				MAX. LOAD ON FRONT EDGE OF PLATFORM	
	A	B	C	D	kN	kNm
standard	4400	4860	1615	1410	7	6
different sizes available						