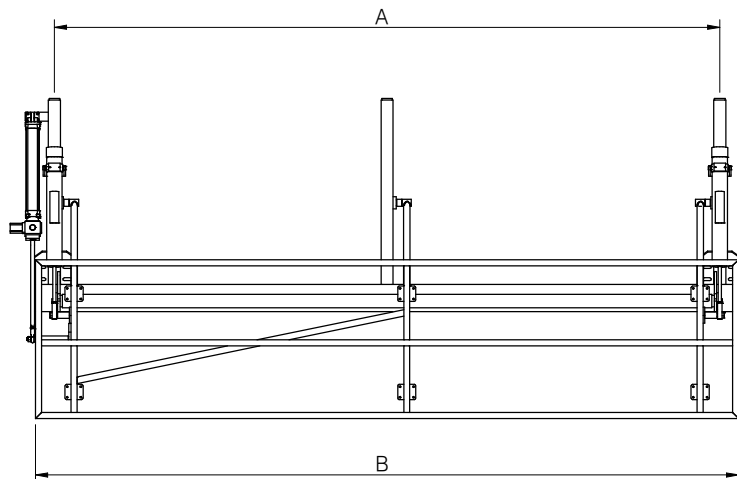
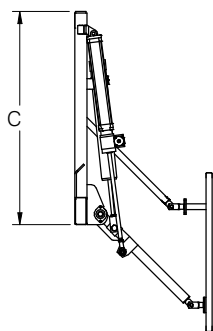


STANDARD RANGE	OPTIONS
pneumatic operation	park position detection
spring cilinder balanced	operation b.m.o. joystick
construction coated/galvanised	
safety frame stainless steel	

No.	NAME
1	construction frame
2	pneumatic cilinder
3	safety frame
4	spring cilinder



MODEL	DIMENSIONS			MAX. LOAD ON FRONT EDGE OF PLATFORM	
	A	B	C	kN	kNm
standard	4400	4650	1410	6	5

different sizes available

subject to technical modifications