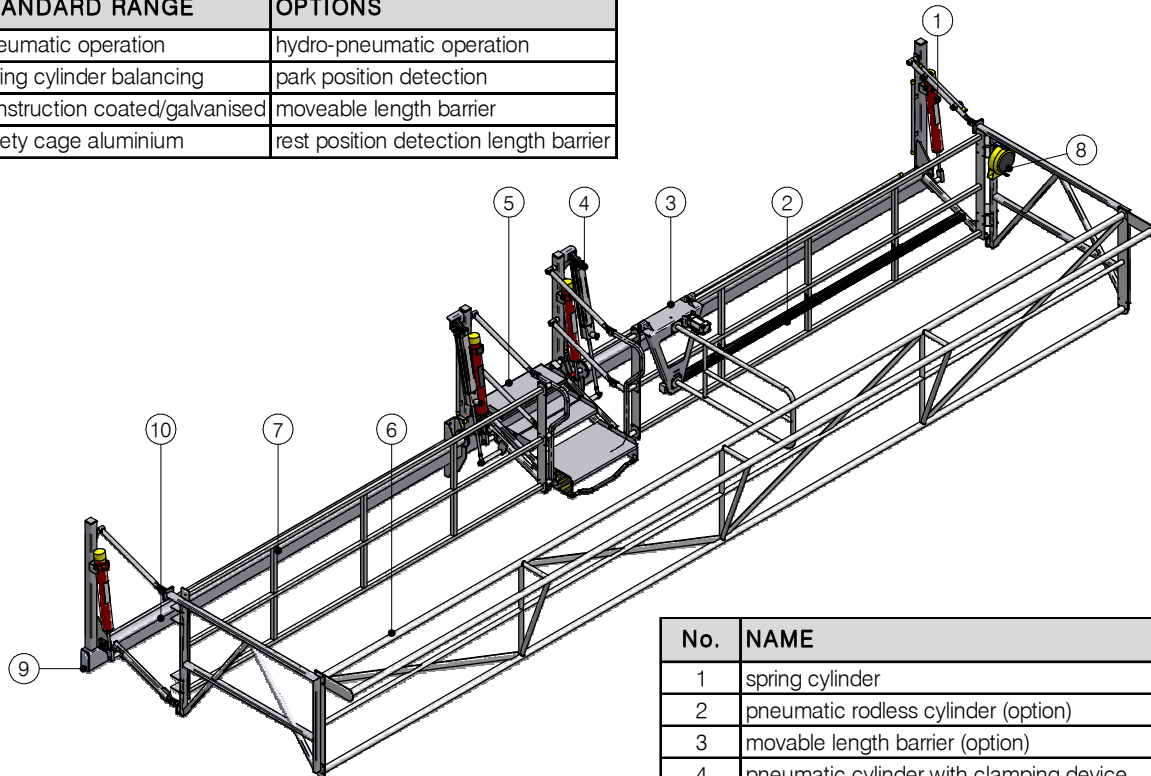


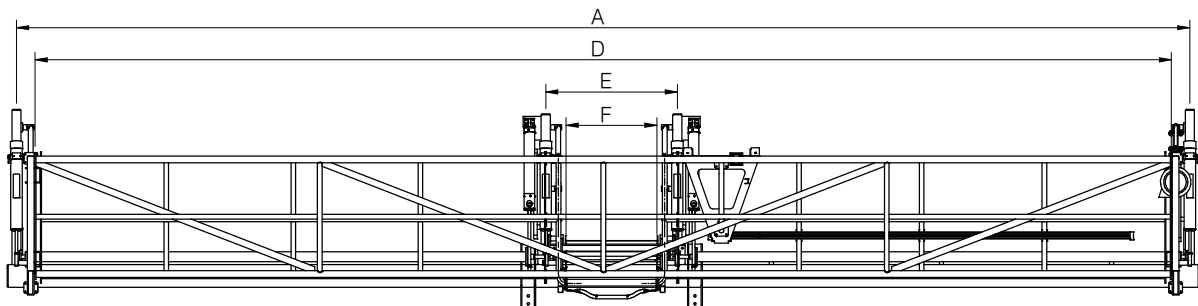
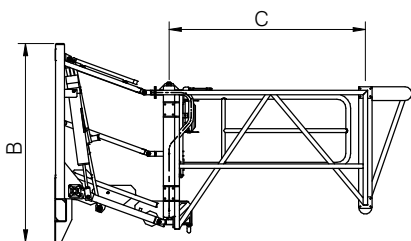
folding stairs with safety cage

7.21 series

STANDARD RANGE	OPTIONS
pneumatic operation	hydro-pneumatic operation
spring cylinder balancing	park position detection
construction coated/galvanised	moveable length barrier
safety cage aluminium	rest position detection length barrier



No.	NAME
1	spring cylinder
2	pneumatic rodless cylinder (option)
3	movable length barrier (option)
4	pneumatic cylinder with clamping device
5	7.21 series folding stairs
6	aluminium safety frame
7	safety frame (coated or galvanised)
8	hose reel for movable length barrier (option)
9	solid support frame (coated or galvanised)
10	reinforced mainframe (coated or galvanised)



MODEL	DIMENSIONS						MAX. LOAD ON FRONT EDGE OF PLATFORM	
	A	B	C	D	E	F	kN	kNm
standard	10346	1750	1730	10020	1160	800	42	49

different sizes available

subject to technical modifications