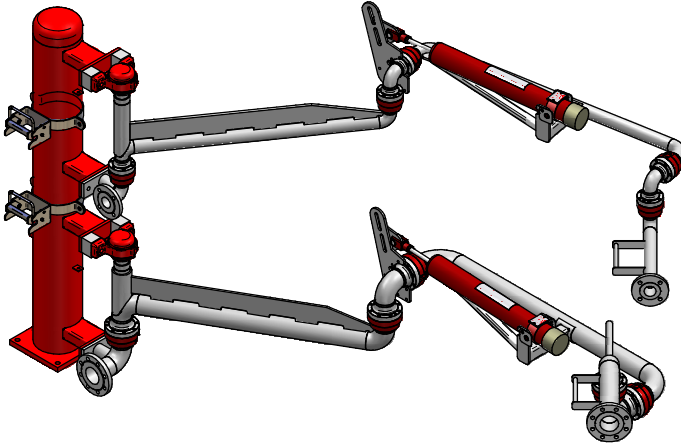


bottom loading arm set

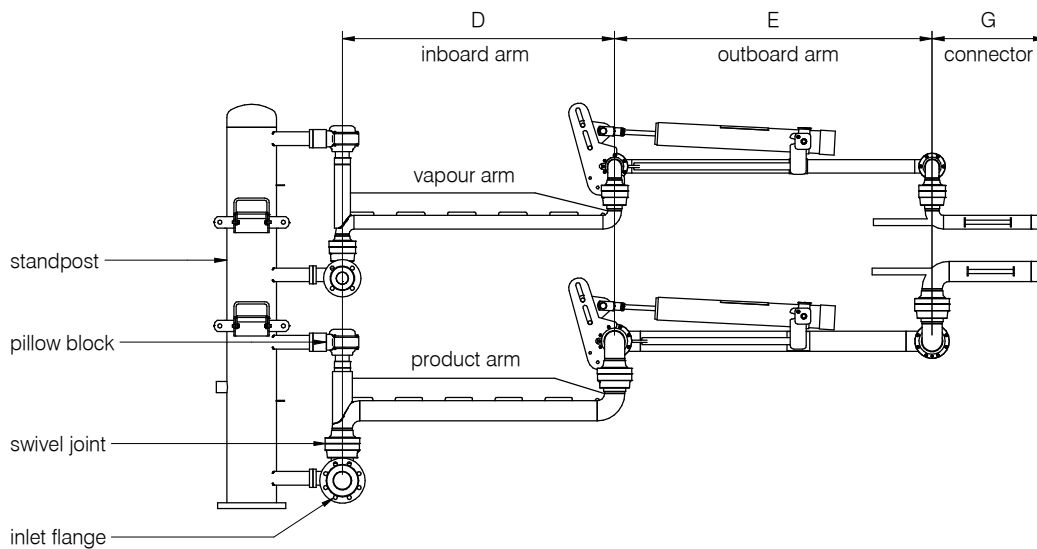
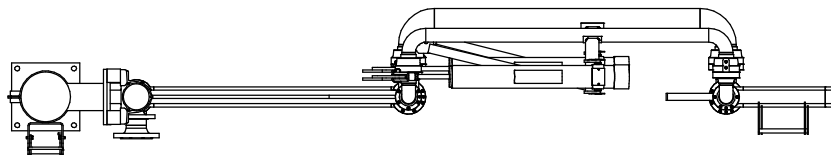
type TM standard configuration



ITEM	SPECIFICATION
dimensions	DN50 (2"), DN80 (3"), DN100 (4")
material	stainless steel, steel, PTFE lined
connection	flanged ANSI/DIN
swivel joint	30-2000 (standard), 30-3620 (PTFE lined), 30-0470 (low fit)
seals	PTFE, Viton, EPDM
balancing	spring cylinder

PROCESS DATA	VALUES
pressure	up to 50 bar
temperature	-50°C / +200°C

For options see DS.TM.01.E



subject to technical modifications