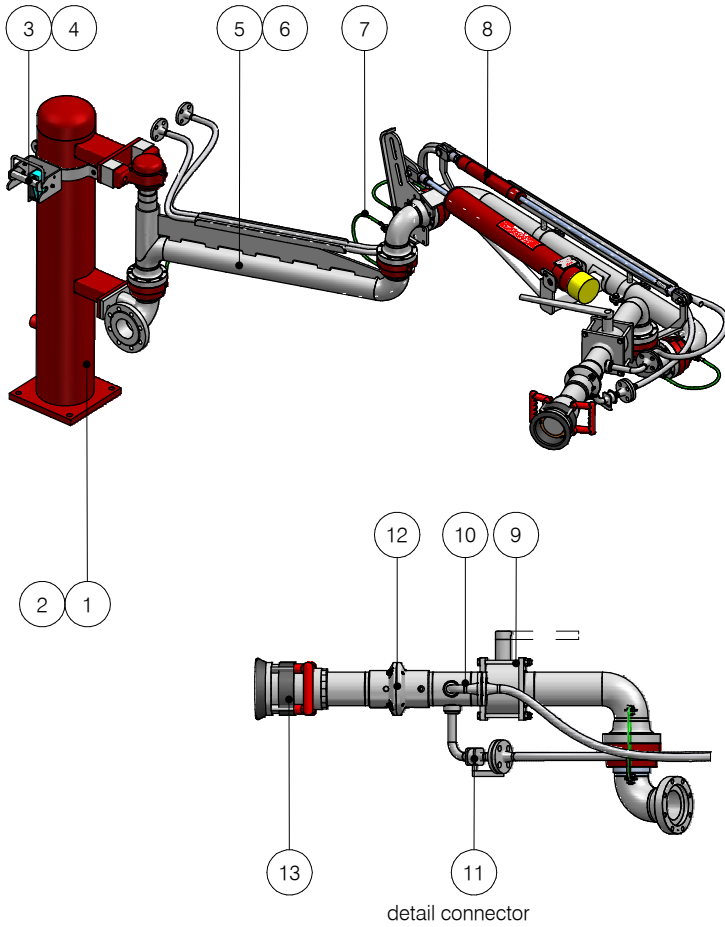


bottom loading arm

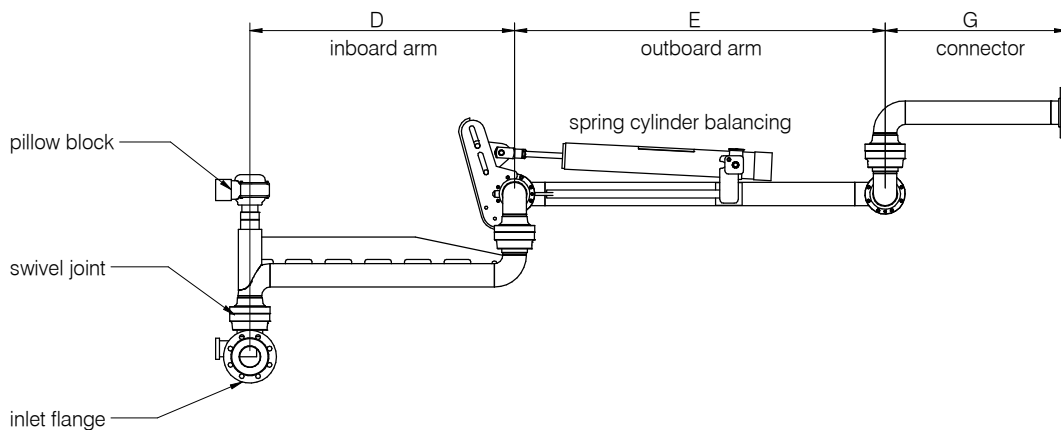
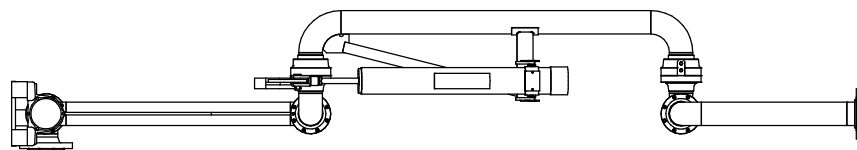
type TM



ITEM	SPECIFICATION
dimensions	DN50 (2"), DN80 (3"), DN100 (4")
material	stainless steel, steel, PTFE lined
connection	flanged ANSI/DIN
swivel joint	30-2000 (standard), 30-3620 (PTFE lined), 30-0470 (low fit)
seals	PTFE, Viton, EPDM
balancing	spring cylinder

PROCESS DATA	VALUES
pressure	up to 50 bar
temperature	-50°C / +200°C

No.	OPTIONS
1	stand post
2	wall bracket
3	locking device
4	parking detection
5	steam tracing, steam jacketing, electrical tracing
6	insulation
7	earthing cable
8	parallel linkage
9	shut-off valve
10	drain connection
11	purge connection
12	break away coupling
13	coupling



subject to technical modifications