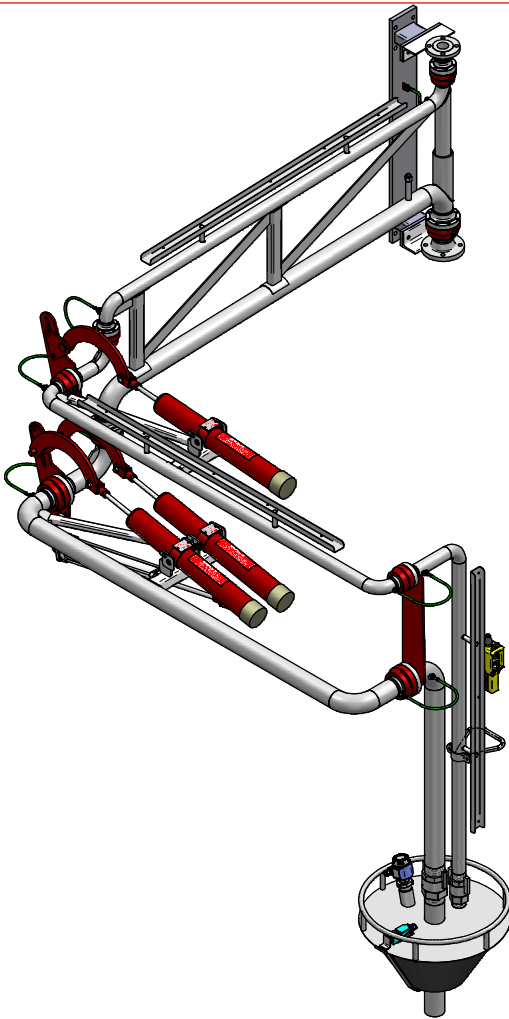


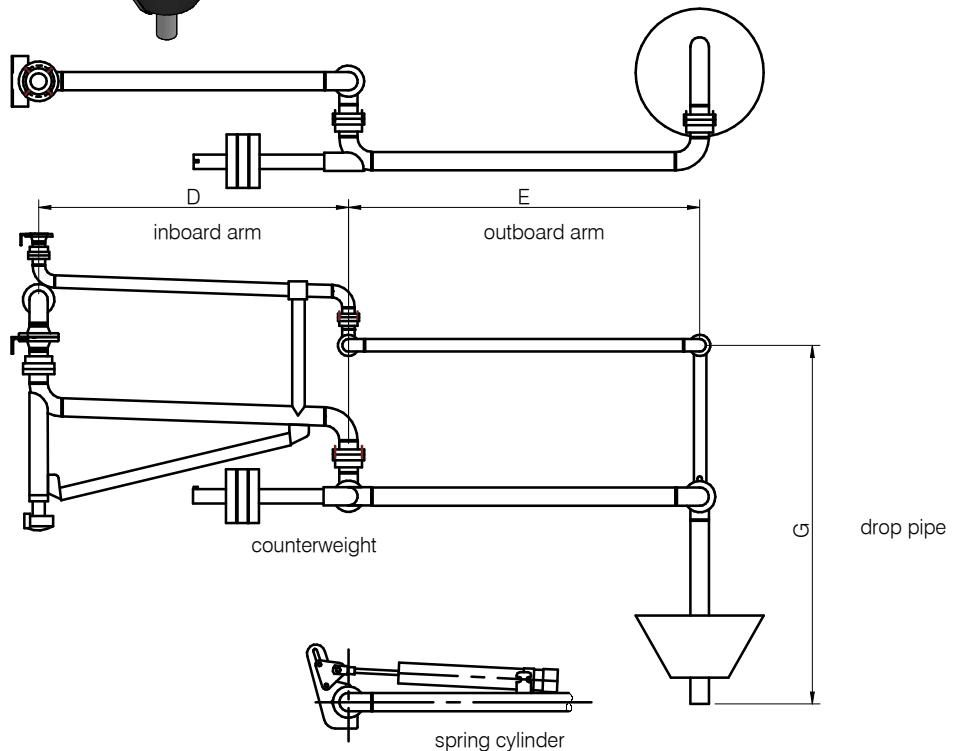
Top loading arm

Model TD-P



| ITEM         | SPECIFICATION                                |
|--------------|--|
| dimensions   | DN50 (2"), DN80 (3"), DN100 (4"), DN150 (6") |
| material     | stainless steel, steel, PTFE lined           |
| connection   | flanged ANSI/DIN                             |
| swivel joint | 30-2000 (standard), 30-3620 (PTFE lined)     |
| seals        | PTFE, Viton, EPDM                            |
| balancing    | spring cylinder, counterweight               |

| PROCESS DATA | VALUES         |
|--------------|----------------|
| pressure     | up to 50 bar   |
| temperature  | -50°C / +200°C |



subject to technical modifications