**benefits**

- easy and safe access
- for tank trucks and ISO tankers
- adjustable at various heights
- mobile and easy manoeuvrable
- robust and very stable

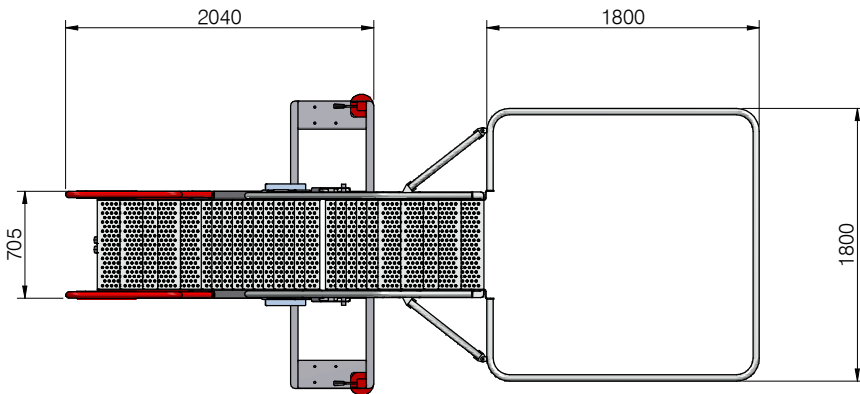
features

- base frame carbon steel galvanised
- stair ladder and cage aluminium
- working height min 3.300 - max 4.300 mm
- step width 600 mm
- slip-resistant grating and steps
- manual winch for height adjustment stair
- stair provided with locking system
- 2x hand grips for simple steering
- 2x jacks for extra stability
- 2x fixed wheels, 1 double swivelling wheel
- low-resistance leak-free tires
- maximum load 150 kg
- total mass unit 600 kg
- complies with European Regulation

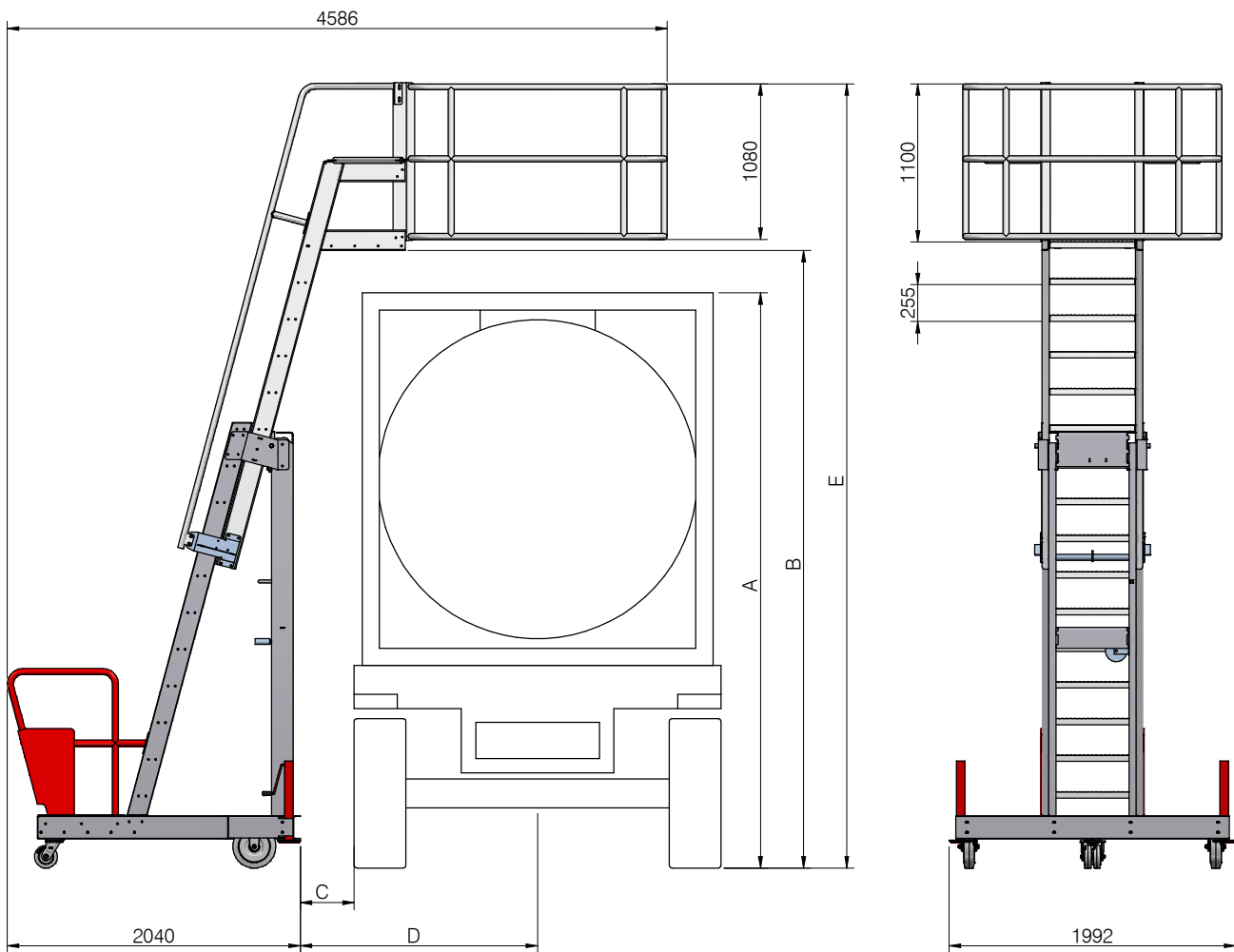
options

- safety cage
- cage reducer
- electric mover
- additional jacks

subject to technical modifications



DIMENSIONS				
A	B	C	D	E
4100	4312	432	1707	5465
3900	4057	364	1639	5210
3700	3802	296	1571	4955
3500	3547	228	1503	4700
3300	3547	228	1503	4700
3100	3292	160	1435	4445



subject to technical modifications